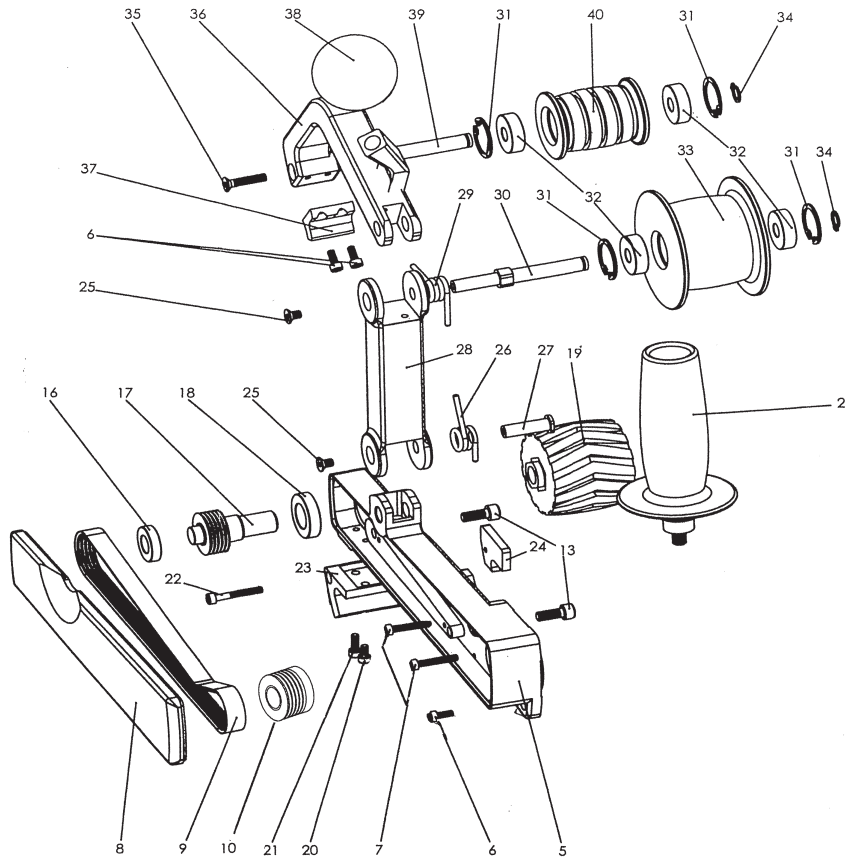


622150XX0

Part	Article	Description
0001	SMFP/310010990	Armature compl., 230V EU
0001	SMFP/310011020	Armature compl., 120V UK+US
0002	SMFP/311011990	Field coil w.field coil, 230 V EU
0002	SMFP/311012010	Field coil w.field coil, 230 V UK+US
0003	SMFP/343410120	Switch 2-pole EU+US
0003	SMFP/343410290	Switch 2-pole US
0004	SMFP/344499640	Cable w.CEE plug UK
0004	SMFP/344490920	Cable with plug US
0005	SMFP/344102180	Cable sleeve UK
0005	SMFP/344101220	Cable sleeve US
0006	SMFP/343362490	Cable clip
0007	SMFP/315013590	Motor housing
0008	SMFP/339151180	Baffle
0009	SMFP/339151200	Baffle
0010	SMFP/343085850	Electronic unit, 230V 50/60Hz EU
0010	SMFP/343085090	Electronic unit, 120V 50/60Hz UK+US
0011	SMFP/143115170	Ball bearing, 6x19x6
0012	SMFP/344097870	Rubber bushing
0013	SMFP/339133060	Washer, 8,05x17x0,4
0014	SMFP/143115180	Ball bearing, 8x22x7
0015	SMFP/339006390	Washer, 7,05x19,5x0,2
0016	SMFP/341100940	Hexagon nut w.recess
0017	SMFP/343433070	Switch rod
0018	SMFP/343433030	Cap
0019	SMFP/343433100	End cap
0020	SMFP/343437100	Switch slide
0030	SMFP/339011970	Gasket
0031	SMFP/141121640	Fill. head screw (DIN 7985)

Part	Article	Description
0032	SMFP/316067080	Self-tap. fill. h. screw
0033	SMFP/316066170	Self-tap. fill. h. screw
0052	SMFP/316066890	Bevel gear w.pinion
0053	SMFP/316066110	Gear flange compl. EU+UK
0053	SMFP/316065420	Gear flange compl. US
0054	SMFP/316054850	Gear housing compl.
0055	SMFP/316065450	Planet wheel set, compl.
0056	SMFP/316065460	Brush holder set
0057	SMFP/141156650	Fan w. dust guard
0058	SMFP/143193650	Carbon brush set cut-off EU
0058	SMFP/342003390	Carbon brush set cut-off UK+US
0061	SMFP/343433640	Retaining ring
0062	SMFP/341515640	O-ring
0063	SMFP/343433060	Pressure spring
0064	SMFP/343433090	Push button
0065	SMFP/341605360	Bolt
0070	SMFP/341605400	Tacho disc
0071	SMFP/316066120	Pivoting switch
0087	SMFP/143195320	Spindle shaft EU+UK
0087	SMFP/339008020	Spindle shaft US
0088	SMFP/316067170	Flange compl.
0092	SMFP/316066670	O-ring
0094	SMFP/344130920	Washer
0124	SMFP/338505780	carbonbrush with brushholder Set 230V EU
0124	SMFP/316067320	carbonbrush with brushholder Set 110V UK+US
0880	SMFP/344130920	Grease 100G
1001	SMFP/338505780	Diagram
1005	SMFP/316067320	Cable with sleeve EU



Part	Article	Description
0002	SMFTN/002	Handle
0005	SMFTN/105	Base piece
0006	SMFTN/106	Socket-head screw M5 x 25 DIN 912

Part	Article	Description
0007	SMFTN/107	M5 x 30 DIN 912
0008	SMFTN/108	Lid
0009	SMFTN/009	Multi V-belt
0010	SMFTN/110	Drive shaft motor side
0013	SMFTN/013	Socket-head screw M6 x 16 DIN 912
0016	SMFTN/020	Ball bearing 1 drive shaft
0017	SMFTN/021	Drive shaft
0018	SMFTN/022	Ball bearing 2 drive shaft
0019	SMFTN/023	Drive wheel
0020	SMFTN/024	Socket-head screw M4 x 8 DIN 912
0021	SMFTN/025	Socket-head screw M4 x 12 DIN 912
0022	SMFTN/026	Socket-head screw M4 x 30 DIN 912
0023	SMFTN/027	Support
0024	SMFTN/028	Wearing plate
0025	SMFTN/029	Socket-head screw M5 x 8 DIN 7991
0026	SMFTN/030	Tension spring lower arm
0027	SMFTN/031	Hinge shaft lower arm
0028	SMFTN/032	Lower arm
0029	SMFTN/033	Tension spring upper arm
0030	SMFTN/034	Hinge shaft upper arm
0031	SMFTN/035	Circlips internal Ø 26 DIN 472
0032	SMFTN/036	Ball bearing runner wheel
0033	SMFTN/037	Runner wheel lower arm
0034	SMFTN/038	Circlips external Ø 9 DIN 471
0035	SMFTN/039	Socket-head screw M4 x 25 DIN 7991
0036	SMFTN/040	Upper arm
0037	SMFTN/041	Bumper
0038	SMFTN/042	Round handle
0039	SMFTN/043	Rotary shaft runner wheel upper arm
0040	SMFTN/044	Runner wheel upper arm